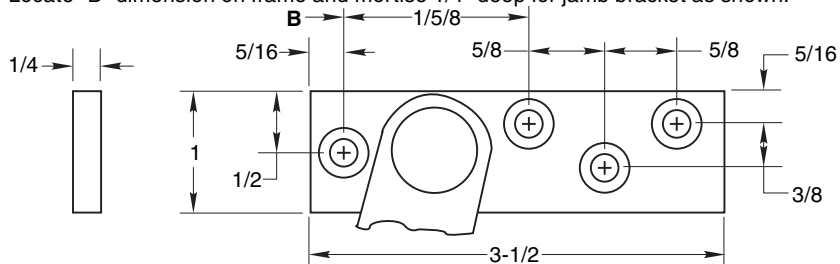


INSTALLATION INSTRUCTIONS

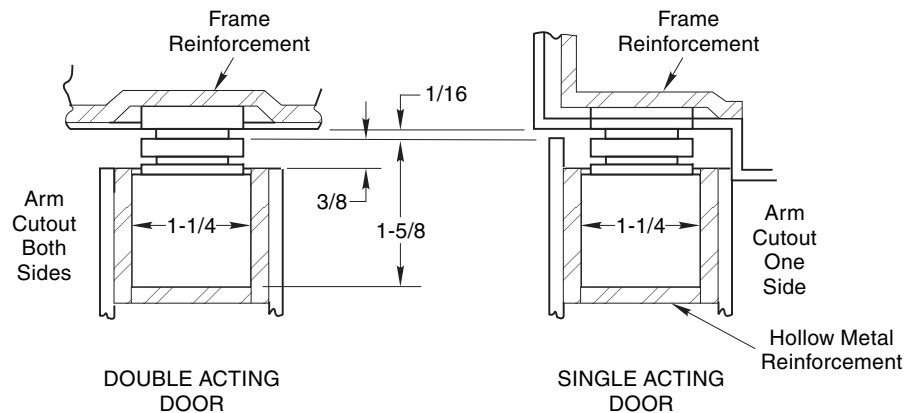
1. Determine degree of hold open or dead stop required. Then select proper dimensions from chart on opposite side of page. Add 5/8" to "A" dimension for dead stop.

NOTE: A, B and C dimensions are measured from hinge center, not edge of door.

2. Locate "B" dimension on frame and mortise 1/4" deep for jamb bracket as shown.



3. Locate "A" and "F" dimensions on centerline of door and mortise 1-5/8" deep for channel. 1/16" head clearance shown. Coordinate the arm and rail cutout dimensions if head clearance varies.



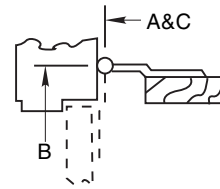
4. Drill 1/2" diameter control knob hole for door holders only.
5. Locate "C" and "E" dimensions on top of door and mortise 3/8" deep as shown for arm cutout.
6. Install door stop or holder with screws provided. Install control knob last.

NOTES:

- All hollow metal frames are to be provided with 3/16" min. thickness x 12" min. length reinforcement plates.
- All hollow metal doors are to be properly reinforced as shown.
- If dead stop is required add 5/8" to "A" dimension as noted on opposite side of page.
- A, B and C dimensions are measured from centerline of pivot, not edge of door.
- Left hand shown, right hand opposite.

CAUTION:

Note location of swing clear hinge centerline to determine "A", "B" and "C" dimensions.



| Screw Details | |
|---|--|
| Jamb | Door |
| 1/4-20 x 3/4" FHMS or #14 x 1-1/2" FHWS | 5/16-18 x 1-1/2" FHMS or #18 x 3" FHWS |

No. 1 Series Concealed Door Stops and Holders

RIXSON®

ASSA ABLOY

www.rixson.com

TEMPLATE NUMBER

OH80000A

DATE

04-09

No. 1 Series Concealed Door Stops and Holders

1. See other side for installation instructions.
2. Select proper dimensions noted below.
3. Add 5/8" to "A" dimension for dead stop.
4. All dimensions given in inches.

When Using Center Hung Pivots, Check Pivot Manufacturer's Compatibility Prior to Specifying

* Butt mounting only.
Reversible, non-handed

| | Device Number | | | Degree | 85° H.O. | | | | 90° H.O. | | | | 95° H.O. | | | | 100° H.O. | | | | 105° H.O. | | | | 110° H.O. | | | | |
|--|---------------|-------|-------|--------------|----------|---------|--------|---------|----------|---------|--------|--------|-----------|---------|-------|---------|-----------|----------|---------|-----------|-----------|----------|---------|-----------|-----------|---------|-------|----------|----------|
| | Friction | H.O. | Stop | Door Opening | A | B | C | E | A | B | C | E | A | B | C | E | A | B | C | E | A | B | C | E | A | B | C | E | F |
| 1 3/4 - 2 1/4 Butts & 3/4 Offset Pivot | 1-116 | 1-126 | 1-136 | 24 - 28 | 7/16 | 5/2 | 4 3/4 | 11 7/8 | 4 1/8 | 5/16 | 4 1/2 | 13 1/4 | * 3 13/16 | * 4 7/8 | 3 | 14 7/16 | * 3 1/2 | * 4 9/16 | 1 1/2 | 15 5/8 | * 3 1/4 | * 4 5/16 | * | * 16 7/8 | * 3 1/16 | * 4 1/8 | * | * 16 5/8 | 3/16 |
| | 1-216 | 1-226 | 1-236 | 28 1/16 - 33 | 3/16 | 9/16 | 6 | 15 3/4 | 5 13/16 | 3/16 | 5 1/2 | 15 7/8 | 5 7/16 | 5 13/16 | 4 1/2 | 16 1/2 | * 5 1/8 | * 5 1/2 | * 3 1/2 | * 17 3/16 | * 4 7/8 | * 5 1/4 | * 2 1/4 | * 18 3/16 | * 4 5/8 | * 5 | * 1 | * 19 1/8 | 7/16 |
| | 1-316 | 1-326 | 1-336 | 33 1/16 - 38 | 9 3/4 | 7 7/8 | 7 3/4 | 19 1/16 | 9 5/16 | 7 7/16 | 7 1/4 | 19 1/8 | 8 7/8 | 7 | 6 3/4 | 19 1/8 | 8 7/16 | 6 9/16 | 6 1/4 | 19 1/4 | 8 1/8 | 6 1/4 | 5 1/2 | 19 5/8 | 7 7/8 | 6 | 4 1/4 | 20 5/8 | 19 15/16 |
| | 1-416 | 1-426 | 1-436 | 38 1/16 - 43 | 12 11/16 | 9 11/16 | 9 1/2 | 22 3/8 | 12 3/16 | 9 3/16 | 9 | 22 3/8 | 11 11/16 | 8 11/16 | 8 1/2 | 22 3/8 | 11 3/16 | 8 3/16 | 8 | 22 3/8 | 10 3/4 | 7 3/4 | 7 1/2 | 22 3/8 | 10 7/16 | 7 7/16 | 7 1/4 | 22 3/8 | 22 1/16 |
| | 1-516 | 1-526 | 1-536 | 43 1/16 - 48 | 16 5/16 | 11 1/16 | 10 3/4 | 26 1/4 | 15 11/16 | 10 7/16 | 10 1/4 | 26 1/4 | 15 1/16 | 9 13/16 | 9 1/2 | 26 1/4 | 14 9/16 | 9 5/16 | 9 | 26 1/4 | 14 1/8 | 8 7/8 | 8 3/4 | 26 1/4 | 13 3/4 | 8 1/2 | 8 1/4 | 26 1/4 | 23 9/16 |

NOTE: A, B, and C dimensions measured from centerline of pivot, not edge of door.

| | Device Number | | | Degree | 85° H.O. | | | | 90° H.O. | | | | 95° H.O. | | | | 100° H.O. | | | | 105° H.O. | | | | 110° H.O. | | | | |
|---------------------------|---------------|-------|-------|--------------|----------|--------|--------|--------|----------|-------|--------|--------|----------|---------|-------|--------|-----------|---------|-------|--------|-----------|---------|-------|--------|-----------|---------|-------|--------|----------|
| | Friction | H.O. | Stop | Door Opening | A | B | C | E | A | B | C | E | A | B | C | E | A | B | C | E | A | B | C | E | A | B | C | E | F |
| 1 3/4 - 2 1/4 Center Hung | -- | -- | -- | -- | -- | -- | -- | -- | -- | -- | -- | -- | -- | -- | -- | -- | -- | -- | -- | -- | -- | -- | -- | -- | -- | -- | -- | -- | -- |
| | 1-216 | 1-226 | 1-236 | 30 - 36 | 6 5/8 | 7 | 6 3/4 | 15 3/8 | 6 1/4 | 6 5/8 | 6 3/8 | 15 3/8 | 5 7/8 | 6 1/4 | 6 | 15 3/8 | 5 9/16 | 5 15/16 | 5 3/4 | 15 3/8 | 5 5/16 | 5 11/16 | 5 1/2 | 15 3/8 | -- | -- | -- | 19 1/8 | 7/16 |
| | 1-316 | 1-326 | 1-336 | 36 1/16 - 41 | 10 3/8 | 8 1/2 | 8 1/4 | 19 1/8 | 9 7/8 | 8 | 7 3/4 | 19 1/8 | 9 7/16 | 7 9/16 | 7 3/8 | 19 1/8 | 9 1/16 | 7 3/16 | 7 | 19 1/8 | 8 11/16 | 6 13/16 | 6 1/2 | 19 1/8 | 8 3/8 | 6 1/2 | 6 1/4 | 19 1/8 | 19 15/16 |
| | 1-416 | 1-426 | 1-436 | 41 1/16 - 46 | 13 1/4 | 10 1/4 | 10 | 22 3/8 | 12 5/8 | 9 5/8 | 9 3/8 | 22 3/8 | 12 1/8 | 9 1/8 | 9 | 22 3/8 | 11 5/8 | 8 5/8 | 8 1/2 | 22 3/8 | 11 1/4 | 8 1/4 | 8 | 22 3/8 | 10 7/8 | 7 7/8 | 7 3/4 | 22 3/8 | 22 1/16 |
| | 1-516 | 1-526 | 1-536 | 46 1/16 - 50 | 17 | 11 3/4 | 11 1/2 | 26 1/8 | 16 1/4 | 11 | 10 3/4 | 26 1/8 | 15 9/16 | 10 5/16 | 10 | 26 1/8 | 15 1/16 | 9 13/16 | 9 1/2 | 26 1/8 | 14 5/8 | 9 3/8 | 9 | 26 1/8 | 14 3/16 | 8 15/16 | 8 3/4 | 26 1/8 | 23 9/16 |

**No. 1 Series
Concealed Door Stops and Holders**

RIXSON®
ASSA ABLOY
www.rixson.com

| | |
|-----------------|--------------|
| TEMPLATE NUMBER | DATE |
| OH80000B | 04-09 |